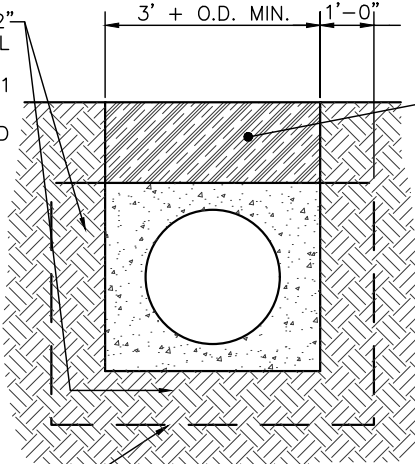


EMBED CONCRETE COLLAR 12" NEATLY IN UNDISTURBED SOIL ON EACH SIDE (HAND DIG). CONCRETE ODOT CLASS QC-1 REINFORCED WITH 1 LB. OF FIBER MESH PER CUBIC YARD

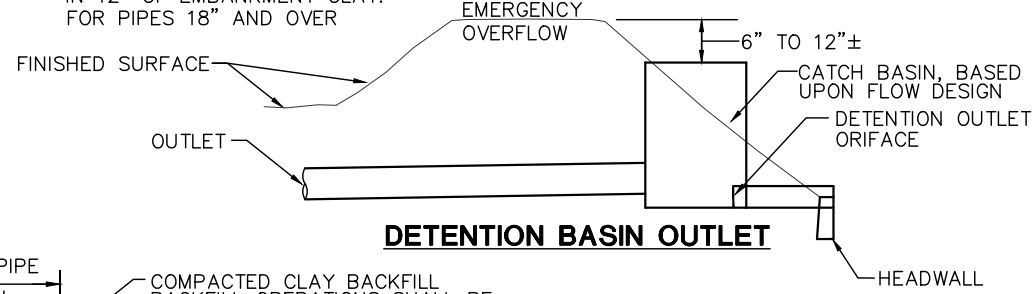
**SEEP COLLAR**

POUR BOTTOM OF COLLAR NEAT IN 12" OF EMBANKMENT CLAY. FOR PIPES 18" AND OVER



COMPACTED CLAY BACKFILL. BACKFILL OPERATIONS SHALL BE PERFORMED BY HAND TAMPING

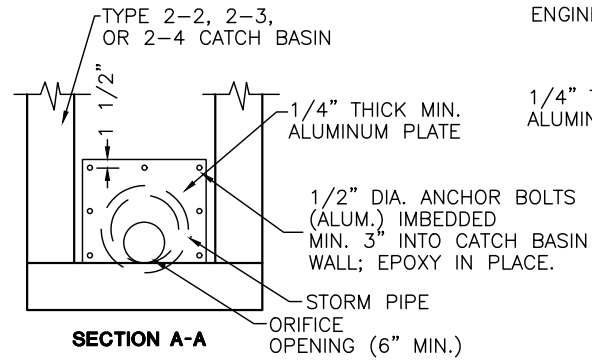
**DETENTION BASIN OUTLET**



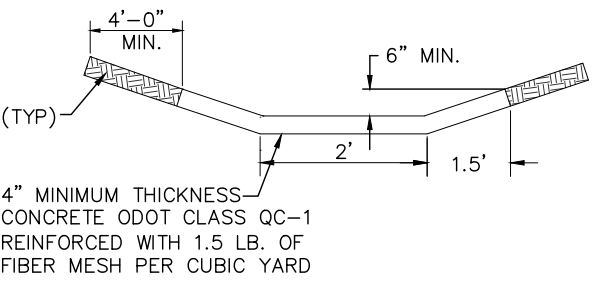
**NOTES**

- A. EXTRA COMPACTION AND CARE SHALL BE TAKEN TO ENSURE WATER SEALING OF DIKE AND PROPER CLAY BEDDING OF PIPE.
- B. COMPACTION REQUIREMENTS SHALL BE 95% STANDARD MAXIMUM DRY WEIGHT DENSITY.
- C. THIS SHALL BE REQUIRED AT ALL PIPES ENTERING OR EXITING THE DETENTION BASIN.
- D. PAYMENT FOR THESE ITEMS SHALL BE INCIDENTAL TO ITEM 603.

**CLAY TRENCH DETAIL THROUGH DETENTION BASIN**



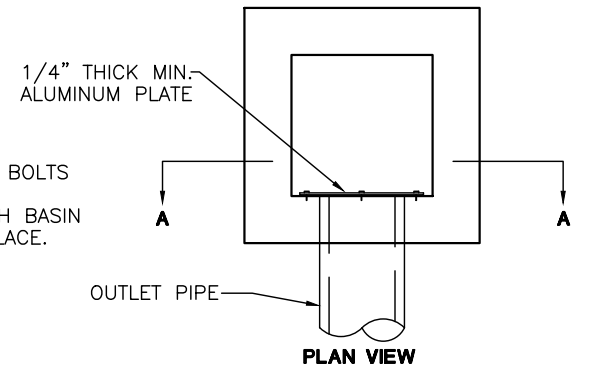
**SECTION A-A**



**PAVED CONCRETE CHANNEL DETAIL**

**NOTES**

- A. ALL DETENTION BASINS WITH SLOPES LESS THAN 1% REQUIRE CONCRETE CHANNEL.
- B. DIFFERENT SHAPE OR SIZE OF CONCRETE CHANNEL MAY BE REQUIRED DEPENDING ON DESIGN, AS APPROVED BY THE CITY ENGINEER.
- C. ALL WORK SHALL BE DONE IN ACCORDANCE WITH CITY SPECIFICATIONS.
- D. BOTTOM OF DRAINAGE DITCH SHALL BE FORMED BEFORE PLACING CONCRETE. ALL FORMS SHALL BE SET TO GRADE AND ALIGNMENT AND BE INSPECTED AND APPROVED BY THE CITY BEFORE POURING CONCRETE.
- E. RIP RAP SHALL BE USED ON EMERGENCY OVERFLOWS WHEN THE VELOCITY OF WATER WILL SCOUR THE SOIL, OR AS REQUIRED BY ENGINEER.



**PLAN VIEW**

**DETENTION/RETENTION OUTLET ORIFICE**

**CITY OF URBANA**

**DETENTION/RETENTION BASIN DETAILS**

REVISIONS:  
12-20-12  
04-10-19

DATE APPROVED:  
01-13-06

PAGE No.  
1167.40