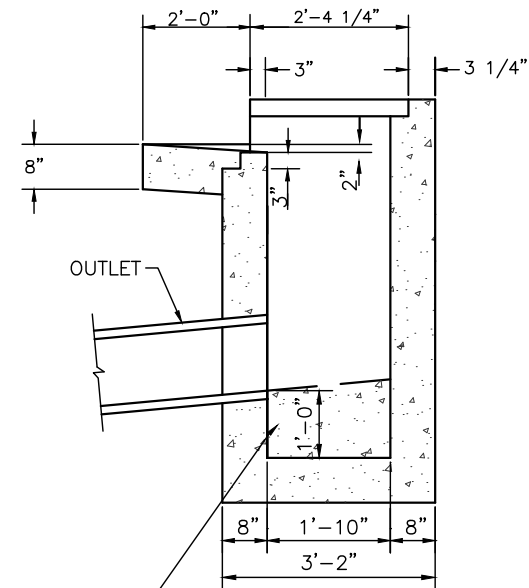


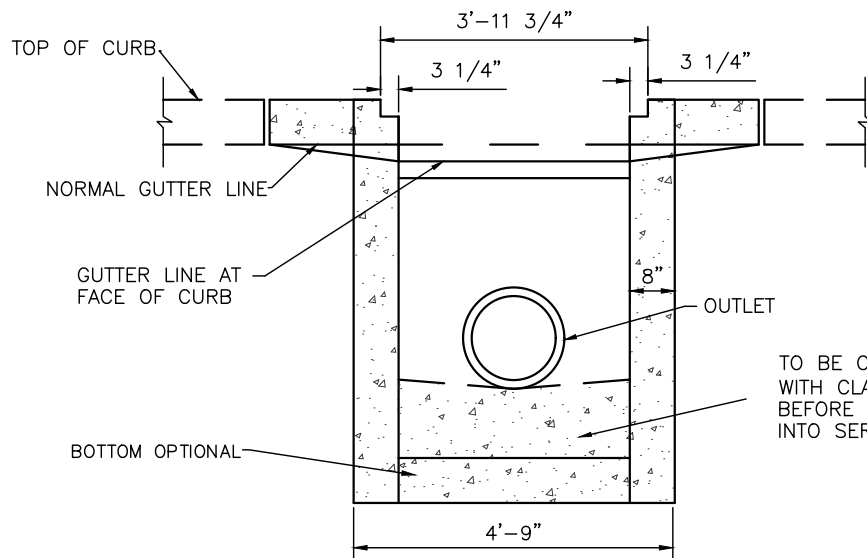
**PLAN  
(WITH FRAME AND LID REMOVED)**



**SECTION B-B**

**NOTES:**

- A.** CURBS ALONG APRON TO HAVE VERTICAL FACE AND BE MONOLITHIC WITH APRON.
- B.** FRAME AND LID SHALL BE NEENAH CATALOG No. R-3312-A OR EQUIVALENT.
- C.** CATCH BASIN MAY BE PRECAST UNIT OR POURED IN PLACE.
- D.** PRECAST UNITS SHALL HAVE MINIMUM WALL THICKNESS OF 5".
- E.** PRECAST UNITS SHALL BE DURA-CRETE CB-915-A OR AN APPROVED EQUAL.
- F.** ALL CATCH BASINS SHALL BE PLACED ON A 6" APPROVED AGGREGATE BASE WITH PRECAST BOTTOM.
- G.** BOTTOM TO BE CONTOURED TO PROVIDE POSITIVE DRAINAGE. THE SLOPE TO BE DETERMINED BY THE ENGINEER.
- H.** THE FRONT EDGE OF CATCH BASIN LID FRAME TO BE FLUSH WITH THE EDGE OF ROLL CURB AND FLUSH WITH FACE OF BARRIER CURB.



**SECTION A-A**

TO BE CLEANED AND FILLED WITH CLASS "QC-1" CONCRETE BEFORE CATCH BASIN IS PUT INTO SERVICE.

**CITY OF  
URBANA**

**TYPE A CATCH BASIN "IN KIND"  
FOR REPAIR/MAINTENANCE ONLY AS DIRECTED BY CITY**

REVISIONS:  
04-10-19

DATE  
APPROVED:  
01-13-06

PAGE No.

1167.34