

MANHOLE FRAME & LID
(SEE MISC. SANITARY MANHOLE
DETAIL 1167.84 FOR CHIMNEY SEAL).

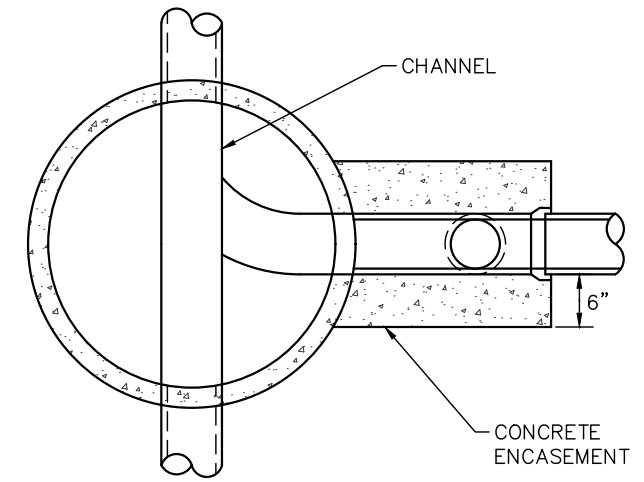
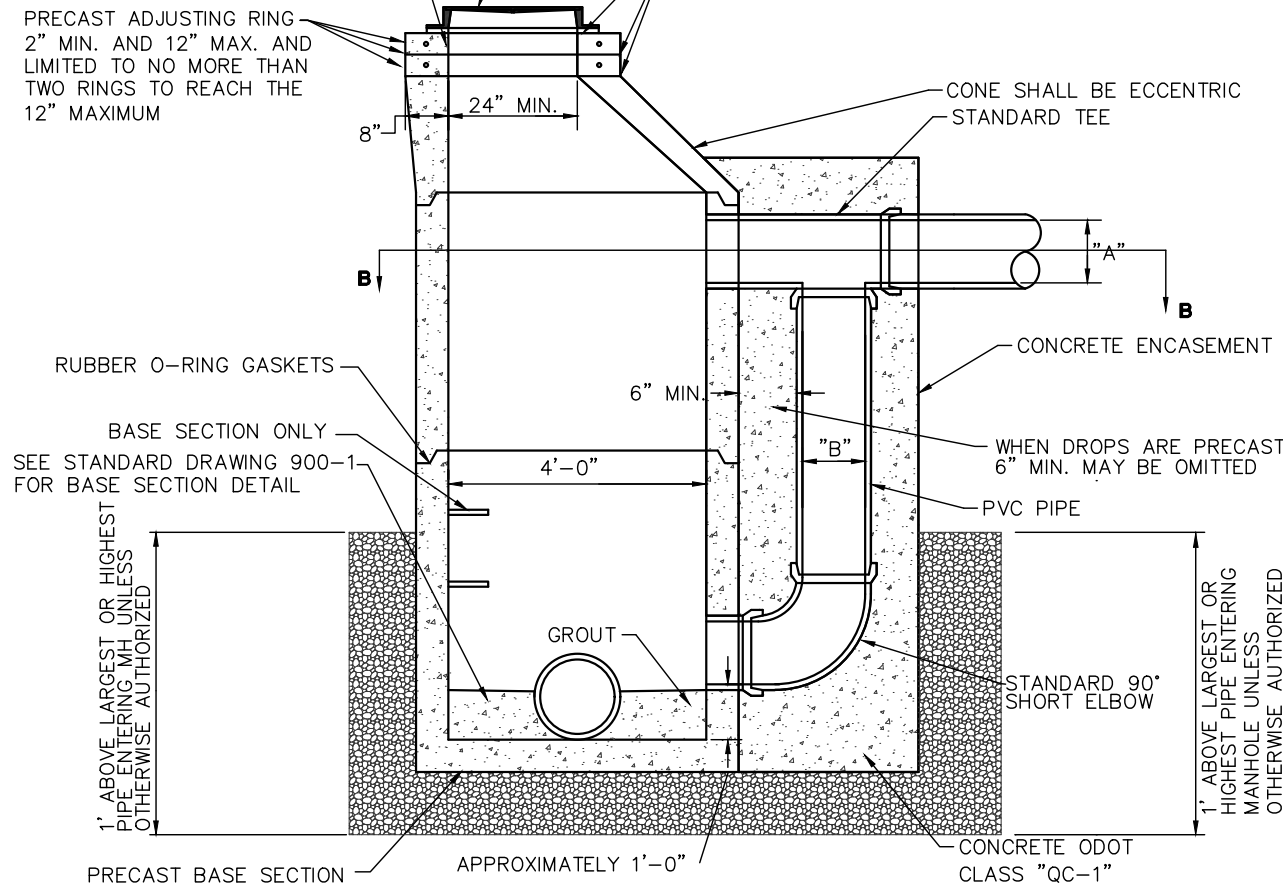
PRECAST ADJUSTING RING
2" MIN. AND 12" MAX. AND
LIMITED TO NO MORE THAN
TWO RINGS TO REACH THE
12" MAXIMUM

MANHOLE FRAME & LID
NON-SHRINK GROUT

CONE SHALL BE ECCENTRIC
STANDARD TEE

'A'	'B'
8", 10", & 12"	8"
15" & 18"	10"
21" & 24"	12"

DROP CONNECTION MANHOLE



SECTION B-B

NOTES

- A.** LOCATE THE CENTERLINE OF MANHOLE CONES OVER THE CENTERLINE OF THE MAIN SEWER WHENEVER POSSIBLE.
- B.** TYPE D MANHOLE SHALL BE USED WHERE THE DIFFERENCE IN INVERT ELEVATIONS IS GREATER THAN 2'-0".
- C.** ALL NOTES AND ASTM REFERENCES ON THE TYPE 3 SANITARY MANHOLE SHALL APPLY ON THE TYPE D SANITARY DROP MANHOLE.

**CITY OF
URBANA**

TYPE D SANITARY DROP MANHOLE

REVISIONS: 04-10-19	DATE APPROVED: 01-13-06
	PAGE No. 1167.82