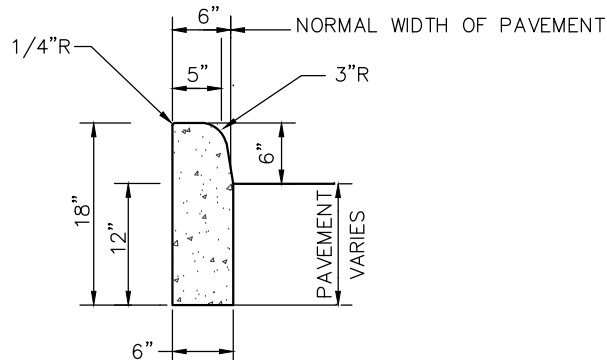
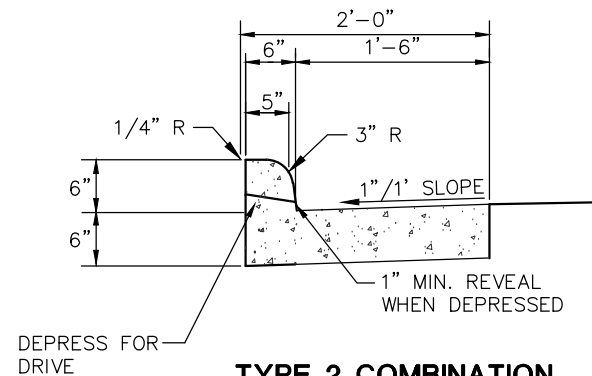


**TYPE 1
COMBINATION ROLL CURB AND GUTTER**



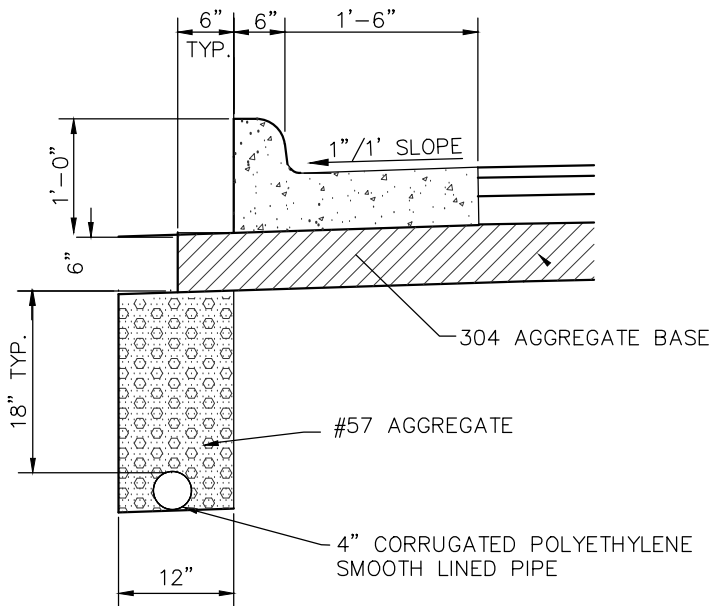
**TYPE 6
BARRIER CURB**



**TYPE 2 COMBINATION
CURB AND GUTTER**

NOTES

- A.** CONCRETE WORK SHALL MEET THE REQUIREMENTS SET FORTH IN ODOT ITEM 609 CURBING.
- B.** CURBING SHALL HAVE CONTRACTION JOINTS EVERY 10' AND EXPANSION JOINTS WITH 1/2" EXPANSION MATERIAL EVERY 60'. 1" EXPANSION MATERIAL TO BE USED 2' TO 3' BEYOND BOTH SIDES OF CATCH BASINS WITH TWO DOWELS CENTERED IN THE GUTTER SPANNING THE 1" EXPANSION.
- C.** MINIMUM OF 6" OF ODOT 304 SHALL BE PLACED UNDER CURBING WHEN BEING NEWLY CONSTRUCTED.
- D.** CURBING SHALL BE BACKFILLED IMMEDIATELY AFTER FORMS ARE REMOVED OR AS SOON AS PRACTICAL WHEN SLIP FORMING PRIOR TO OTHER CONSTRUCTION OPERATIONS.
- E.** PROVIDE BROOM FINISH AND EDGING TO ALL EXPOSED SURFACES.
- F.** APPLY WHITE CURING COMPOUND ON ALL SURFACES INCLUDING BACK IMMEDIATELY AFTER FINISHING SURFACES. ANY OTHER METHOD OR TYPE OF CURING COMPOUND MUST BE PREAPPROVED.
- G.** CONCRETE SHALL BE ODOT CLASS QC-1 WITH FIBERMESH (4000 PSI AT 28 DAYS, 1 LBS/CY FIBERMESH)
- H.** CONCRETE SHALL CONTAIN 6% ± 1% OF TOTAL AIR.
- I.** TYPE 6 CURBS ARE FOR USE AROUND MEDIAN SECTIONS ONLY.
- J.** UNDERDRAIN MUST BE INSTALLED PRIOR TO CURB INSTALLATION.
- K.** MINIMUM FLOW LINE SLOPE OF PERFORATED PIPE IS 0.003 FT/FT TO OUTLET.
- L.** UNDERDRAIN MAY BE USED FOR SUMP PUMP DRAINS WITH A MANUFACTURED TEE, WHEN NO OTHER STORM OUTLET IS AVAILABLE AS DETERMINED BY THE CITY. IN NO CASE SHALL DOWNSPOUTS BE TIED INTO THE UNDERDRAIN.
- M.** ROLL CURB AND GUTTER MAY BE DEPRESSED AS SHOWN ABOVE FOR DRIVES THAT HAVE A MINIMUM GRADE OF +1% FOR A MINIMUM OF 30' BACK OF THE CURB AND GUTTER.
- N.** WHERE ASPHALTIC CONCRETE PAVEMENT IS DISTURBED, THE PAVEMENT SHALL BE REPLACED WITH HOT MIX ASPHALT SURFACE COURSE THE FULL DEPTH OF THE DISTURBANCE UNLESS AN EXCEPTION IS GRANTED BY THE CITY DURING THE PERMIT PROCESS.



4" SHALLOW PIPE UNDERDRAIN DETAIL
(ONLY AS REQUIRED BY THE CITY)